



**DEGO**

*Definition of Sound*

Power 3000 MR 80 DP

SPECIALLY COATED PAPER CONE DRIVER

Instruction manual for Midrange set

Article-No. 970 0058 00

Power Series

Designed, engineered & manufactured in Germany

## CONGRATULATIONS!

You have just purchased the DEGO reference midrange Power 3000 MR 80 DP.

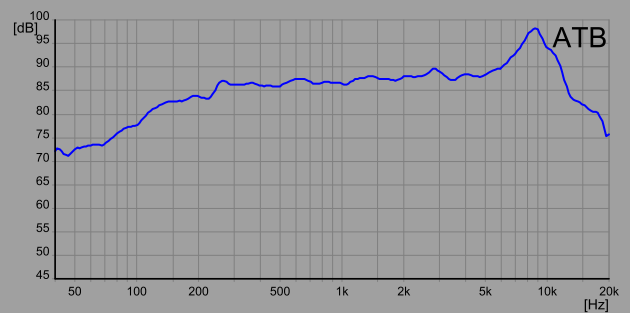
The 80 mm tweeter with paper dome, shallow mounting depth and a detailed and dynamic sound image makes the DEGO Power midrange DP one of the finest speakers in German engineering.



### POWER 3000 MR 80 DP SPECIFICATIONS

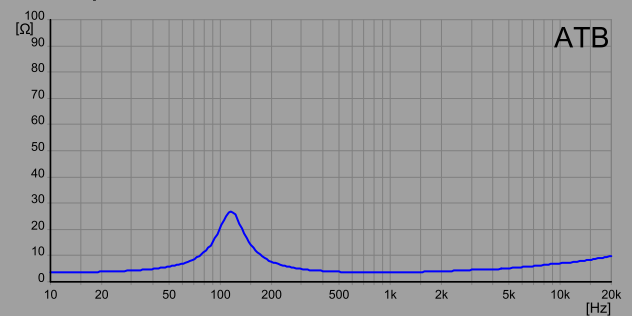
DC resistance	$R_e$	3.4	$\Omega$
Nominal impedance	$Z_N$	4	$\Omega$
Voice coil inductance	$L_e$	0.10	mH
Voice coil diameter		25	mm
Voice coil height		3	mm
Height of gap		4	mm
Linear excursion		$\pm 0.5$	mm
Max. mech. excursion		$\pm 6.5$	mm

Frequency response [1W/1m]



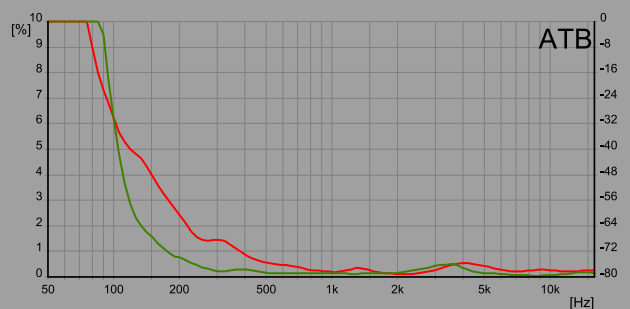
Resonance frequency	$f_s$	115	Hz
Mechanical Q factor	$Q_{ms}$	3.27	
Electrical Q factor	$Q_{es}$	0.45	
Total Q factor	$Q_{ts}$	0.40	

Impedance



Moving mass	$M_{ms}$	3.40	g
Effective piston area	$S_d$	35	cm <sup>2</sup>
Mechanical resistance	$R_{ms}$	0.75	Kg/s
Compliance	$C_{ms}$	0.56	mm/N
Force factor	BL	4.29	Tm
Equivalent air volume	$V_{as}$	0.97	dm <sup>3</sup>
Efficiency	$\eta$	0.31	%
SPL 1W/1m		87.0	dB
SPL 2.83V/1m		90.7	dB

Harmonic Distortion [1W/1m]

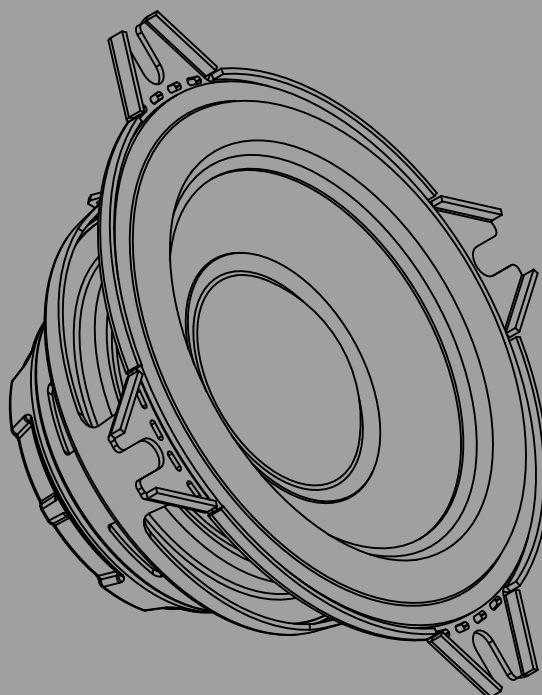
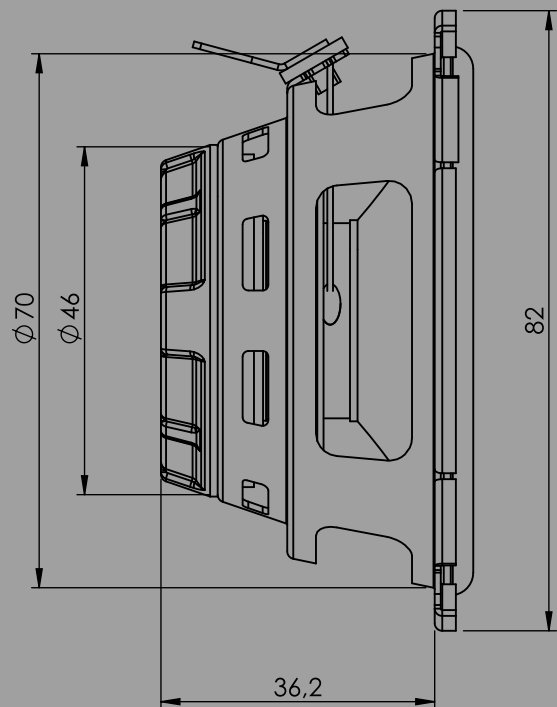
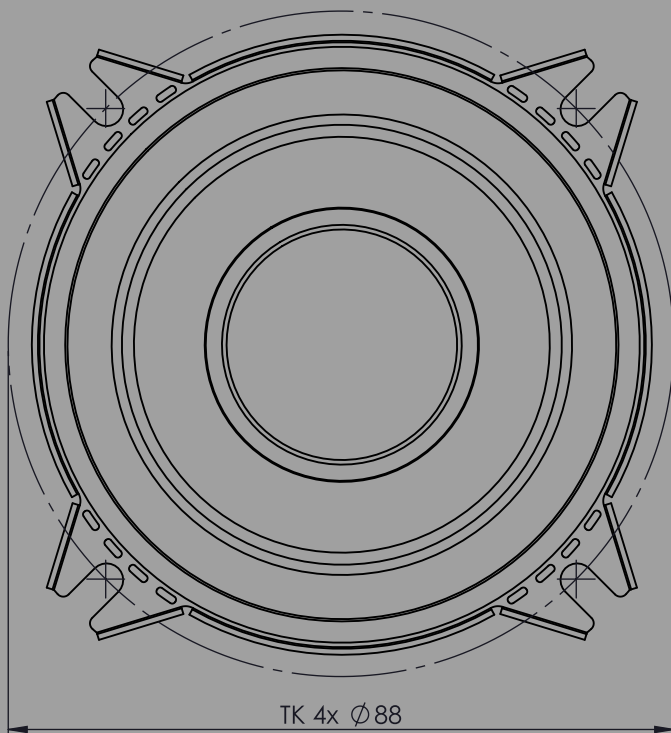


Designed, engineered & manufactured in Germany

**POWER 3000 MW 80 DP SPECIFICATIONS**

Midrange	80	mm
Impedance	4	$\Omega$
Nominal Power	40	W
Peak Power	65	W
Frequency Response	200 - 15K	Hz
Sensitivity 1W/1m	90	db

Mounting depth	36.2	mm
Outside diameter	82	mm
Mounting diameter	70	mm



Designed, engineered & manufactured in Germany