



**DEGO**

*Definition of Sound*

Power 3000 T 25

SPECIALLY COATED FABRIC DOME DRIVER

Instruction manual for Tweeter set

Article-No. 970 0061 00

Power Series

Designed, engineered & manufactured in Germany

# CONGRATULATIONS!

You have just purchased the DEGO Tweeter Power 3000 T 25.

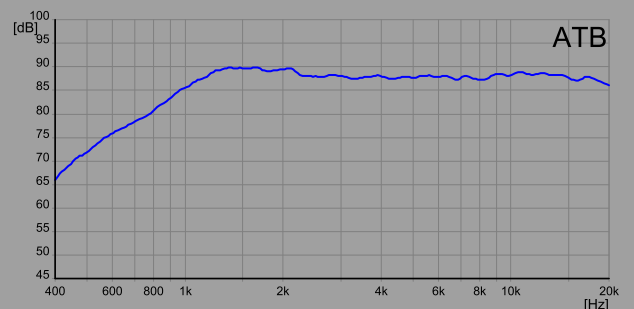
The 25 mm tweeter with shallow mounting depth and a balanced coloration makes the Power Tweeter one of the finest speakers in German engineering.



## POWER 3000 T SPECIFICATIONS

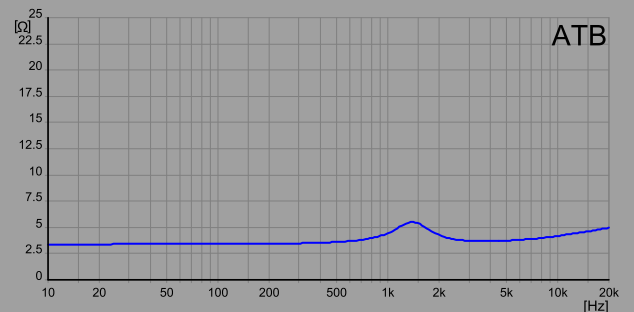
DC resistance	$R_e$	3.4	$\Omega$
Nominal impedance	$Z_N$	4	$\Omega$
Voice coil inductance	$L_e$	0.04	mH
Voice coil diameter		25	mm
Voice coil height		1.4	mm
Height of gap		2	mm

Frequency response [1W/1m]



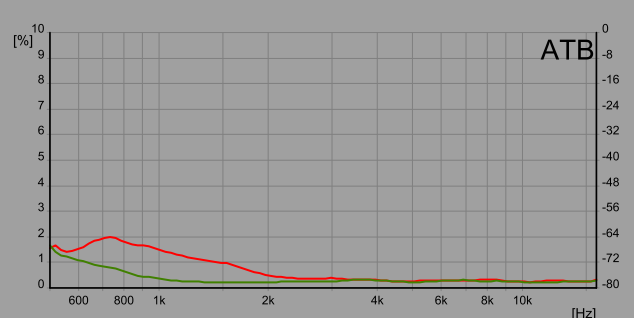
Resonance frequency	$f_s$	1252	Hz
Mechanical Q factor	$Q_{ms}$	2.24	
Electrical Q factor	$Q_{es}$	2.30	
Total Q factor	$Q_{ts}$	1.14	

Impedance



Moving mass	$M_{ms}$	0.24	g
Effective piston area	$S_d$	7.07	cm <sup>2</sup>
Mechanical resistance	$R_{ms}$	0.83	Kg/s
Compliance	$C_{ms}$	0.069	mm/N
Force factor	BL	1.66	Tm
Equivalent air volume	$V_{as}$	0.005	dm <sup>3</sup>
Efficiency	$\eta$	0.40	%
SPL 1W/1m		88.5	dB
SPL 2.83V/1m		92.2	dB

Harmonic Distortion [1W/1m]

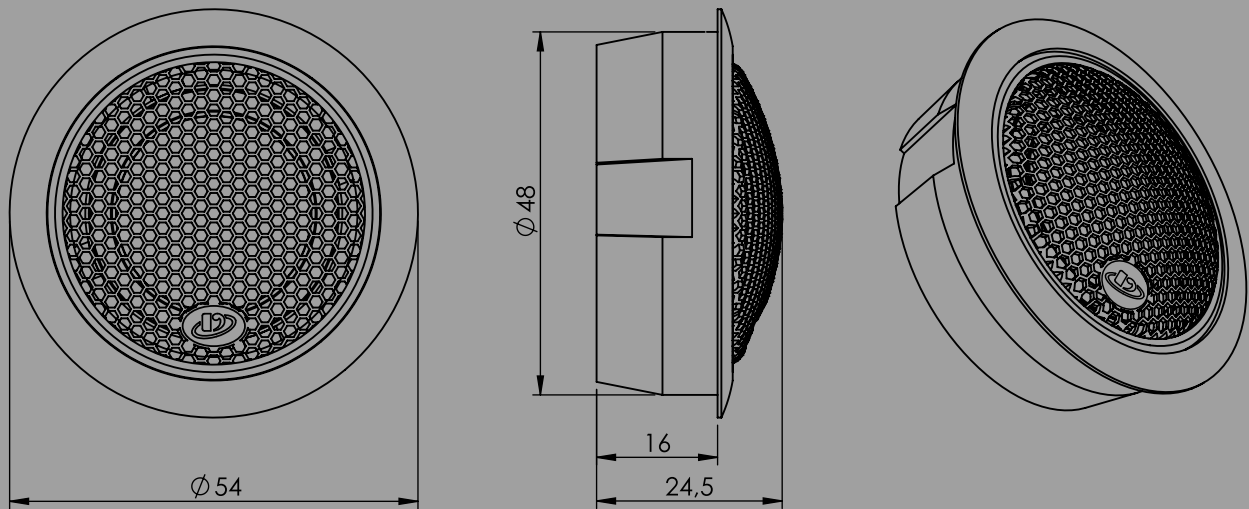


Designed, engineered & manufactured in Germany

**POWER 3000 T SPECIFICATIONS**

Tweeter	25	mm	Mounting depth	16	mm
Impedance	4	$\Omega$	Outside diameter	54	mm
Nominal Power *	80	W	Mounting diameter	48	mm
Peak Power	120	W			
Frequency Response	1.5 - 23	kHz			
Sensitivity 1W/1m	88	db			

\* Filter: 2. order HP Butterworth 2.5 kHz



**OPTIONAL TWEETER ACCESSORIES**

**MOUNTING SPRINGS & SCREWS FOR TWEETERS**

ARTICLE-No. 970 0066 00

2x Springs

2x Pan head Phillips Screws M4x8 mm

2x Countersunk Phillips screws M4x30 mm

