



DEGO

Definition of Sound

Space 3000 T 25 Upgrade

HIGH TECH ALUMINIUM CONE DRIVER

Instruction manual for Tweeter set

Article-No. 970 0010 00

Space Series

Designed, engineered & manufactured in Germany

CONGRATULATIONS!

You have just purchased the DEGO Tweeter Space 3000 T 25 Upgrade.

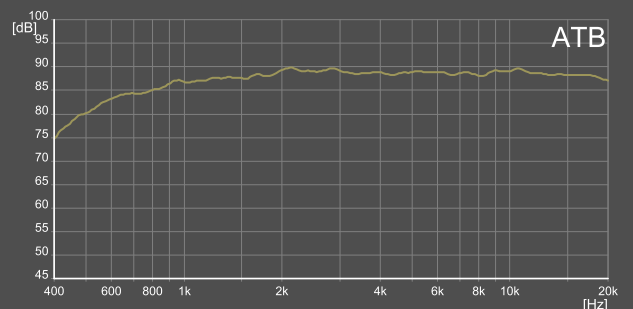
The upgrade of the 25 mm tweeter with a silk dome, offers a more powerful magnet system for a clear undistorted sound reproduction and high power handling makes it one of the finest speakers in German engineering.



SPACE 3000 T UPGRADE SPECIFICATIONS

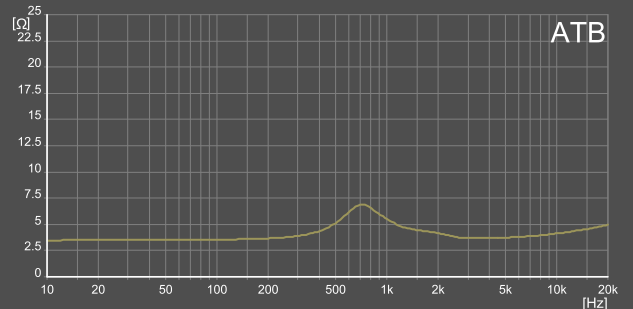
| | | | |
|-----------------------|-------|------|----------|
| DC resistance | R_e | 3.4 | Ω |
| Nominal impedance | Z_N | 4 | Ω |
| Voice coil inductance | L_e | 0.04 | mH |
| Voice coil diameter | | 25 | mm |
| Voice coil height | | 1.4 | mm |
| Height of gap | | 2 | mm |

Frequency response [1W/1m]



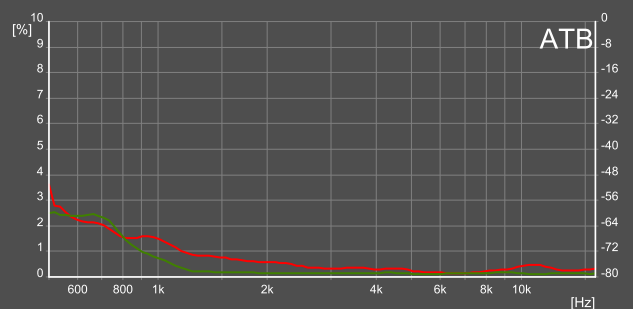
| | | | |
|---------------------|----------|------|----|
| Resonance frequency | f_s | 738 | Hz |
| Mechanical Q factor | Q_{ms} | 1.54 | |
| Electrical Q factor | Q_{es} | 1.53 | |
| Total Q factor | Q_{ts} | 0.77 | |

Impedance



| | | | |
|-----------------------|----------|-------|-----------------|
| Moving mass | M_{ms} | 0.28 | g |
| Effective piston area | S_d | 7.07 | cm ² |
| Mechanical resistance | R_{ms} | 0.83 | Kg/s |
| Compliance | C_{ms} | 0.17 | mm/N |
| Force factor | Bl | 1.70 | Tm |
| Equivalent air volume | V_{as} | 0.012 | dm ³ |
| Efficiency | η | 0.30 | % |
| SPL 1W/1m | | 88.1 | dB |
| SPL 2.83V/1m | | 91.8 | dB |

Harmonic Distortion [1W/1m]

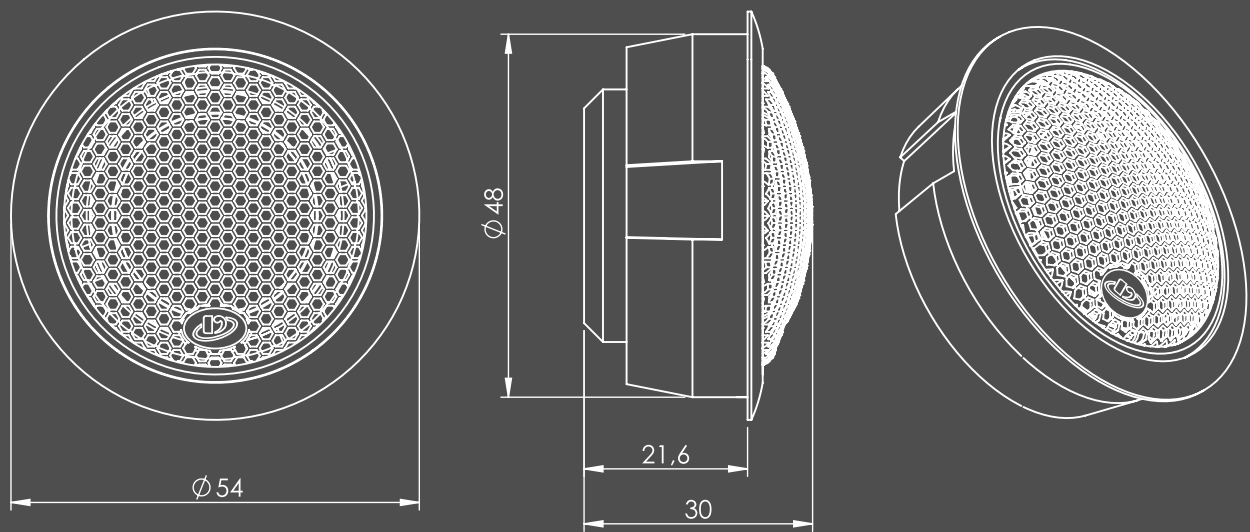


Designed, engineered & manufactured in Germany

SPACE 3000 T UPGRADE SPECIFICATIONS

| | | | | | |
|--------------------|----------|----------|-------------------|------|----|
| Tweeter | 25 | mm | Mounting depth | 21.6 | mm |
| Impedance | 4 | Ω | Outside diameter | 54 | mm |
| Nominal Power * | 80 | W | Mounting diameter | 48 | mm |
| Peak Power | 120 | W | | | |
| Frequency Response | 1.5 - 23 | kHz | | | |
| Sensitivity 1W/1m | 88 | db | | | |

* Filter: 2. order HP Butterworth 2.5 kHz



OPTIONAL TWEETER ACCESSORIES

MOUNTING SPRINGS & SCREWS FOR TWEETERS

ARTICLE-No. 970 0066 00

2x Springs

2x Pan head Phillips screws M4x8 mm

2x Countersunk Phillips screws M4x30 mm

