



DEGO

Definition of Sound

Star 3000 T 20

SPECIALLY COATED FABRIC DOME DRIVER

Instruction manual for Tweeter set

Article-No. 970 0060 00

Star Series

Designed, engineered & manufactured in Germany

CONGRATULATIONS!

You have just purchased the DEGO Tweeter Star 3000 T 20.

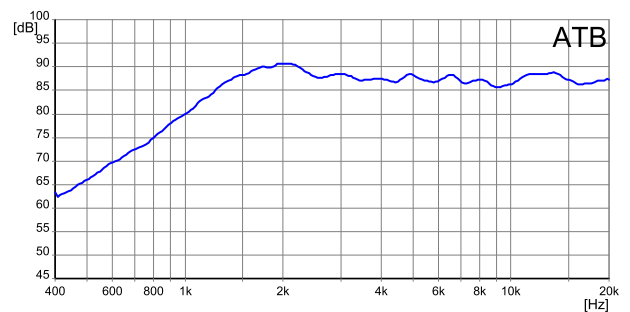
The well-balanced Compact 20 mm tweeter as an optimal complement to Dego Star MW 165 makes the Star Tweeter one of the finest speakers in German engineering.



STAR 3000 T SPECIFICATIONS

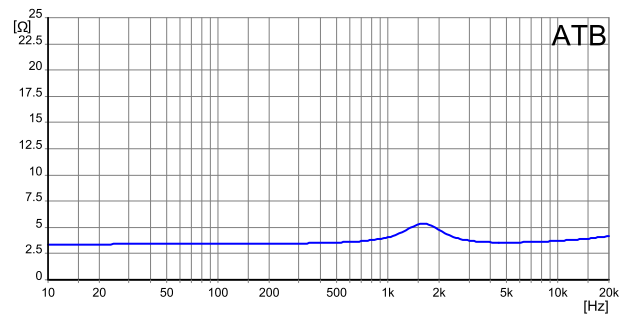
DC resistance	R_e	3.4	Ω
Nominal impedance	Z_N	4	Ω
Voice coil inductance	L_e	0.04	mH
Voice coil diameter		20	mm
Voice coil height		1.2	mm
Height of gap		1.5	mm

Frequency response [1W/1m]



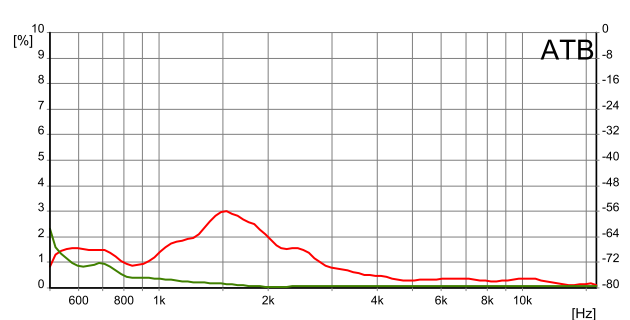
Resonance frequency	f_s	1609	Hz
Mechanical Q factor	Q_{ms}	1.95	
Electrical Q factor	Q_{es}	2.61	
Total Q factor	Q_{ts}	1.11	

Impedance



Moving mass	M_{ms}	0.18	g
Effective piston area	S_d	4.71	cm ²
Mechanical resistance	R_{ms}	0.94	Kg/s
Compliance	C_{ms}	0.054	mm/N
Force factor	BL	1.51	Tm
Equivalent air volume	V_{as}	0.002	dm ³
Efficiency	η	0.26	%
SPL 1W/1m		87.2	dB
SPL 2.83V/1m		90.9	dB

Harmonic Distortion [1W/1m]

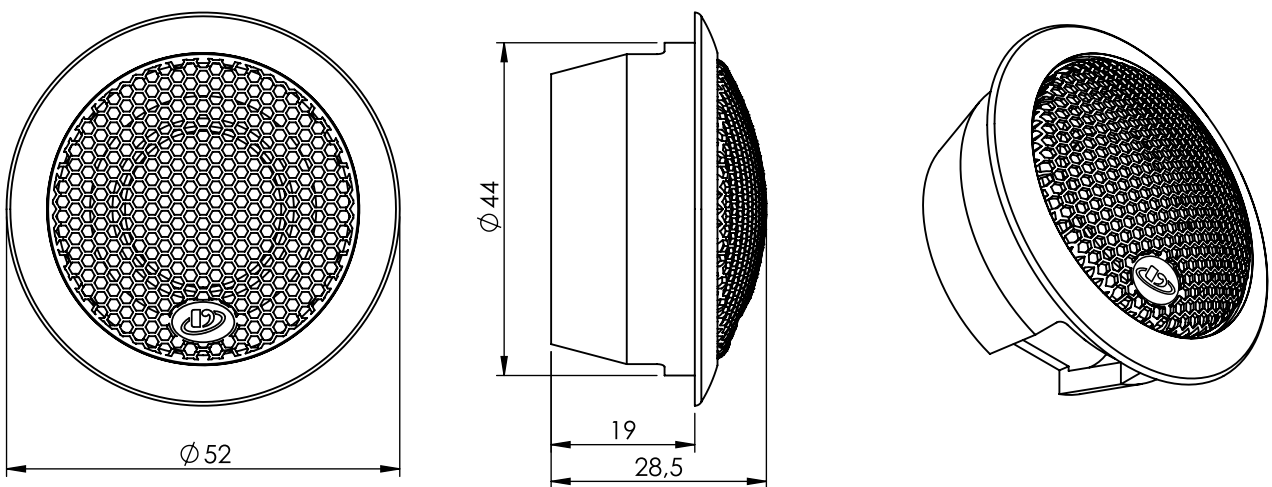


Designed, engineered & manufactured in Germany

STAR 3000 T SPECIFICATIONS

Tweeter	25 mm	Mounting depth	19 mm
Impedance	4 Ω	Outside diameter	52 mm
Nominal Power *	80 W	Mounting diameter	44 mm
Peak Power	120 W		
Frequency Response	1.5 - 23 kHz		
Sensitivity 1W/1m	88 db		

* Filter: 2. order HP Butterworth 2.5 kHz



OPTIONAL TWEETER ACCESSORIES

MOUNTING SPRINGS & SCREWS FOR TWEETERS

ARTICLE-No. 970 0066 00

2x Springs

2x Pan head Phillips Screws M4x8 mm

2x Countersunk Phillips screws M4x30 mm

